

1

2

3

4

5

6

A

A

B

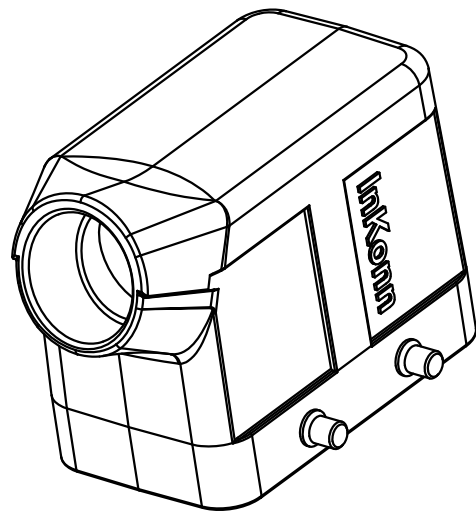
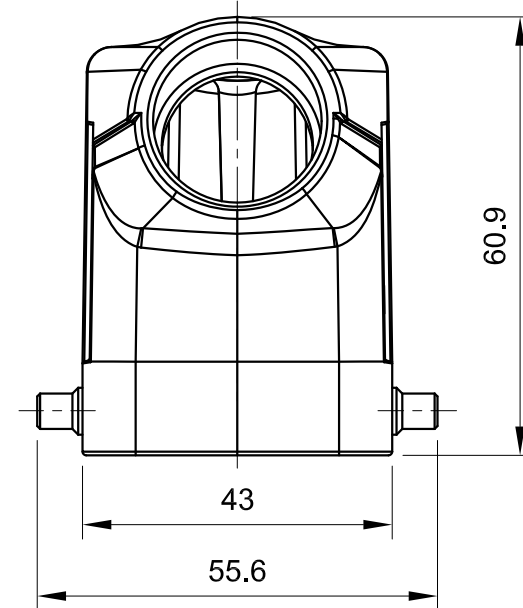
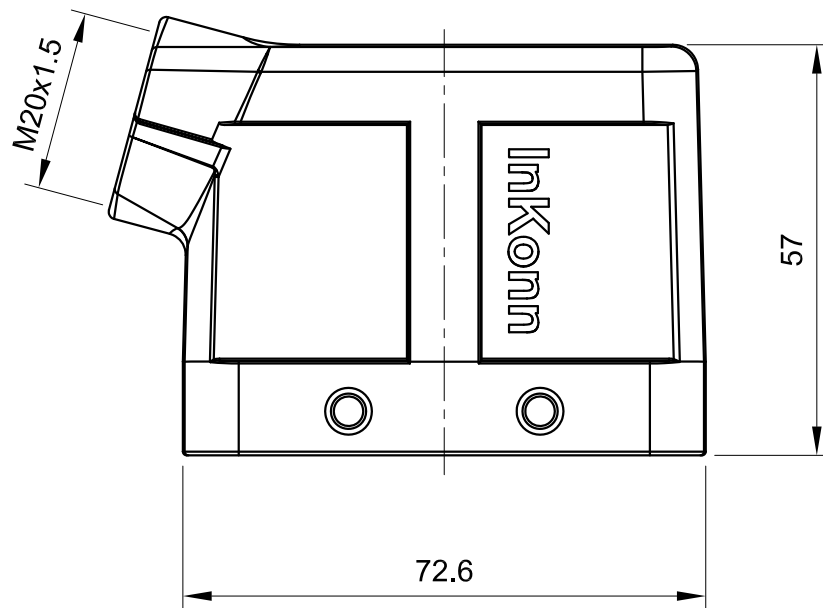
B



C

C

D

D



 All Dimensions in mm Original Size DIN A4	Date 2020-07-10	Drawing No. TC2317262	Rev. A00	Scale 1:1
	Part No. 10 14 010 0141	Created by Shuxu Huang	Checked by Yiyi Luo	Page 1/1
 InKonn® InKonn (Suzhou) Electric Technology Co.,Ltd.				
Type Name HEMCB10-SE-QP-M20				

1

2

3

4

5

6